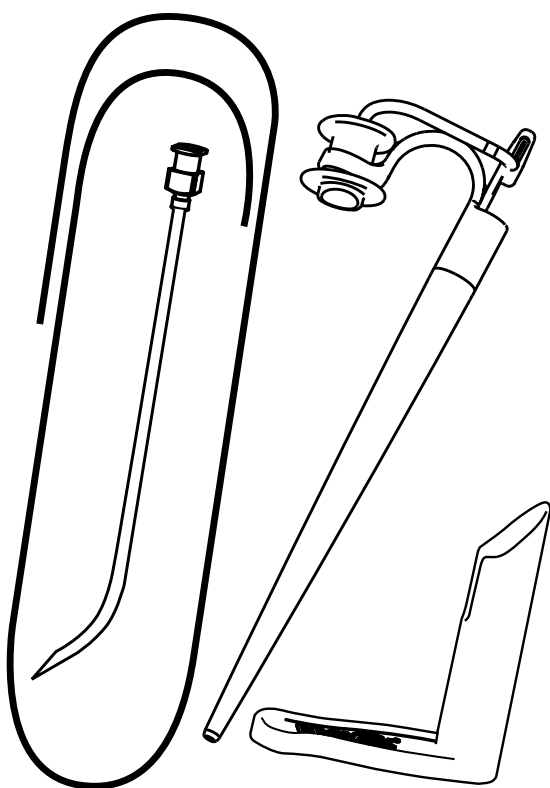


PROVOX[®] Vega[™] Puncture Set

Instructions for Use

Illustrations Provox Vega Puncture Set



This illustration manual does not replace the user manual, and it is not a substitute for reviewing and understanding the important information in the user manual. Therefore, before prescribing and/or using any of the products, read the entire contents of the user manual.

Rx
ONLY



CE 0413



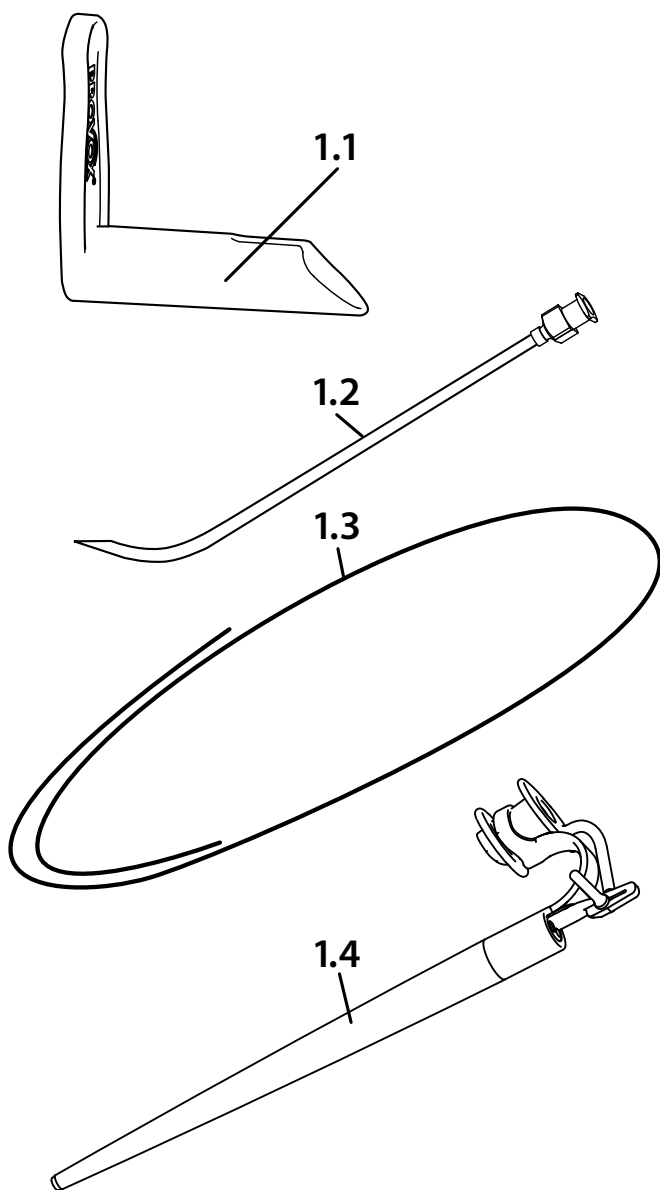
STERILE EO



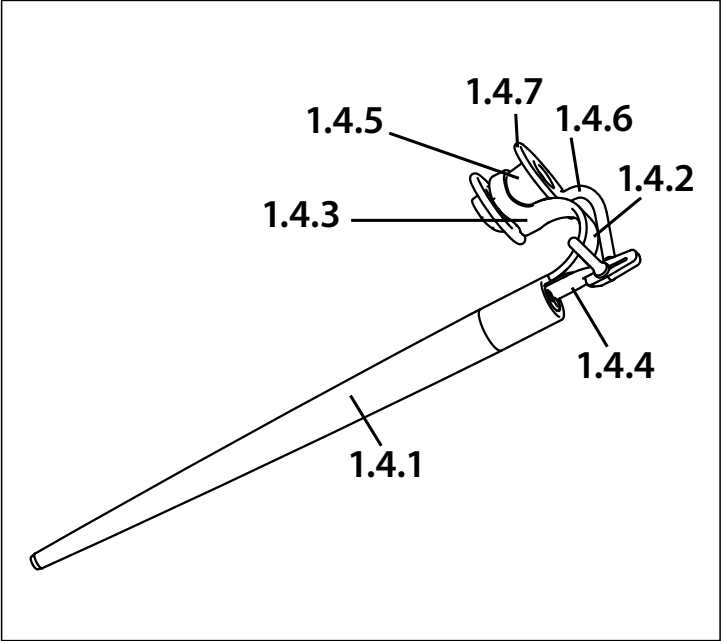
Atos

Atos Medical Your voice

1. Provox Vega Puncture Set

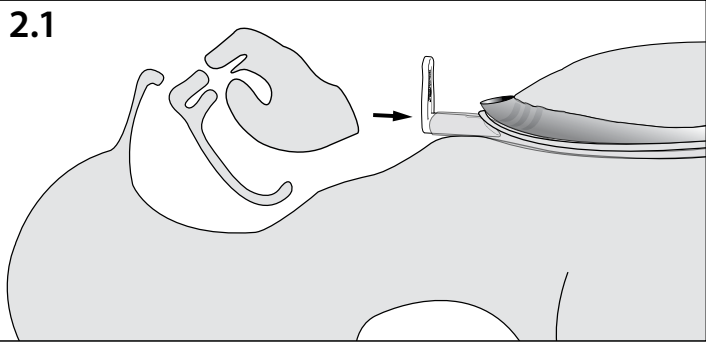


1. Provox Vega Puncture Set

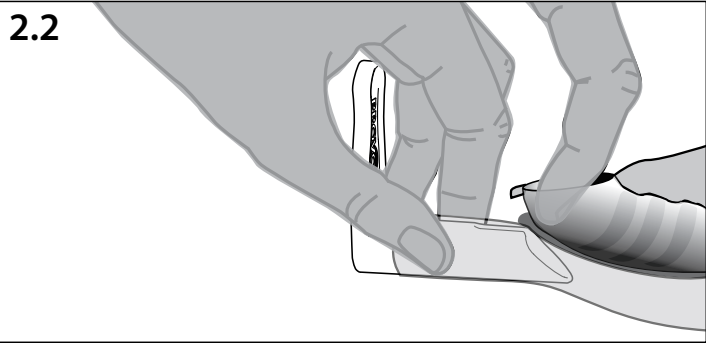


2. Primary Puncture and Prosthesis placement

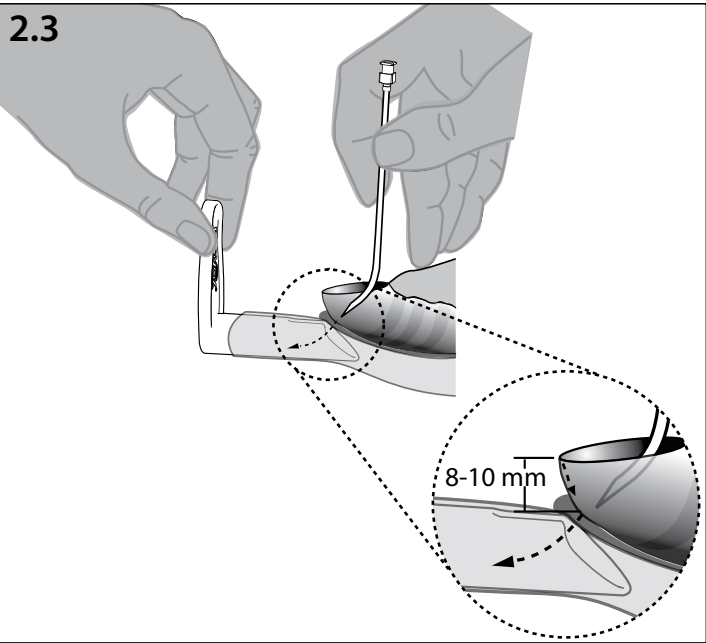
2.1



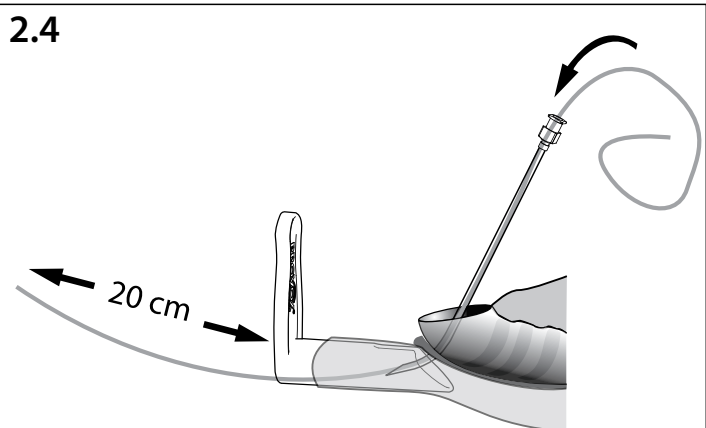
2.2



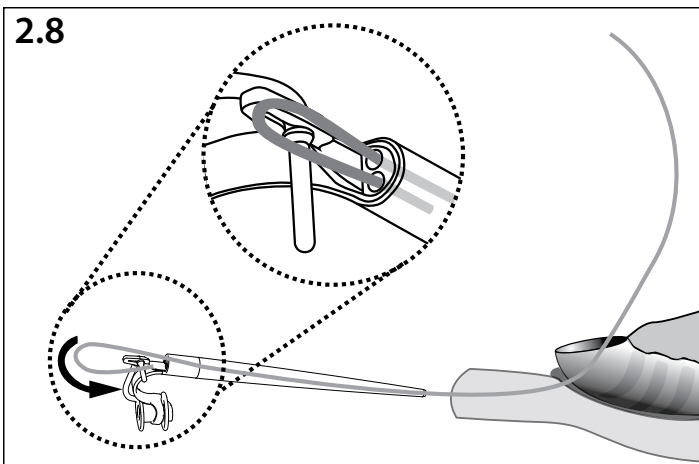
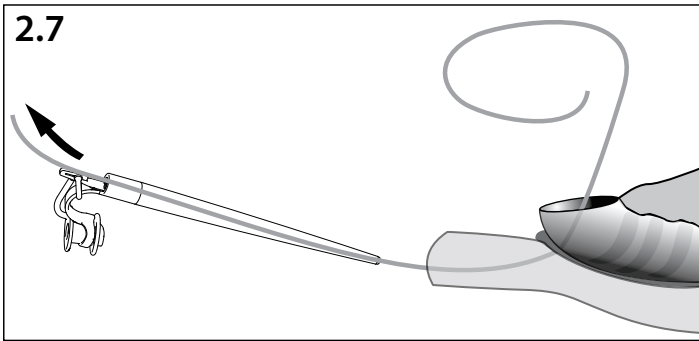
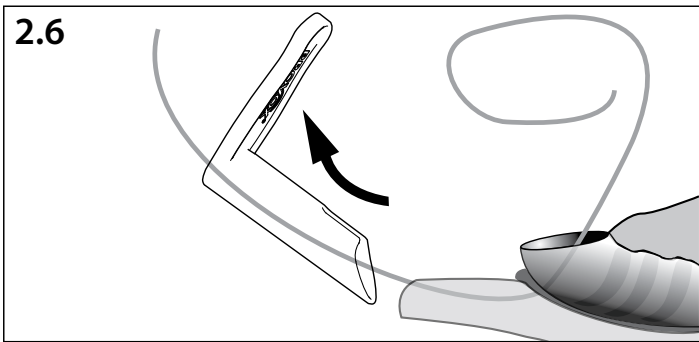
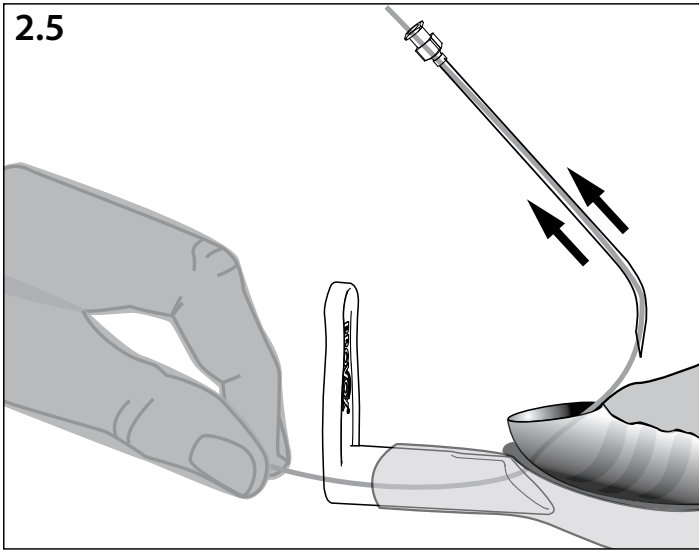
2.3



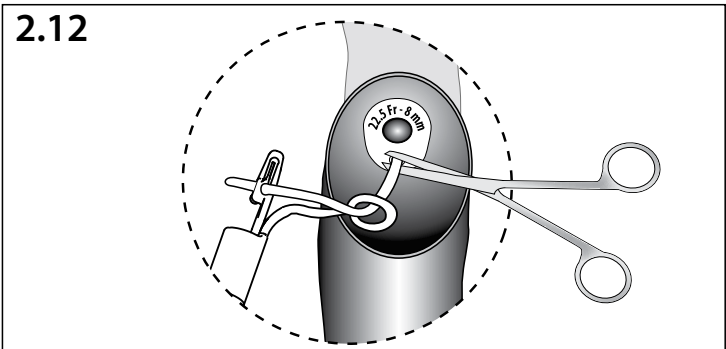
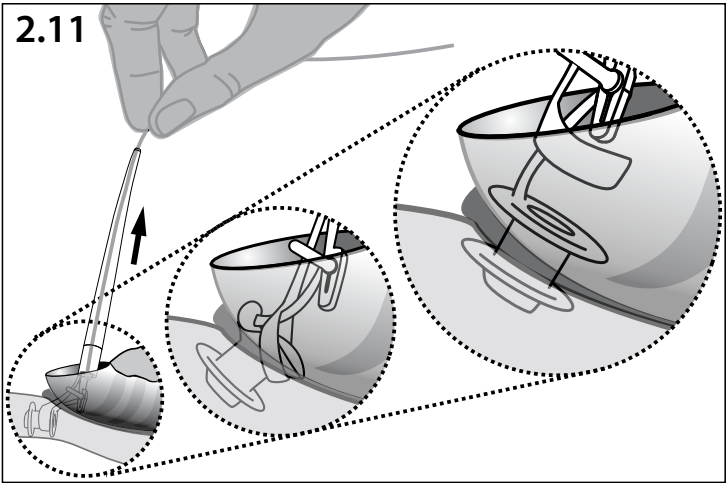
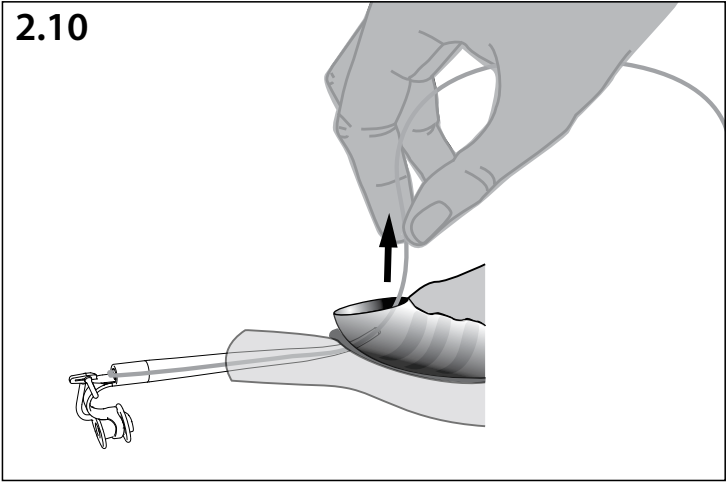
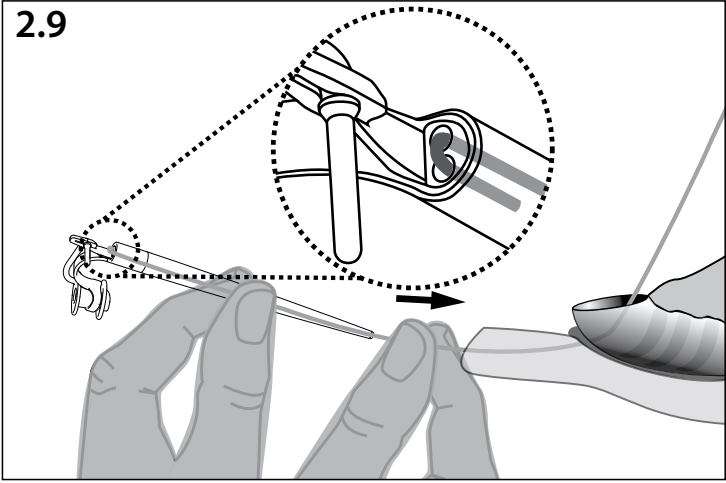
2.4



2. Primary Puncture and Prosthesis placement

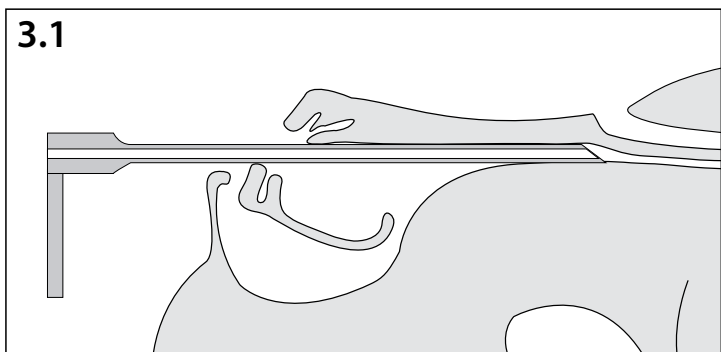


2. Primary Puncture and Prosthesis placement

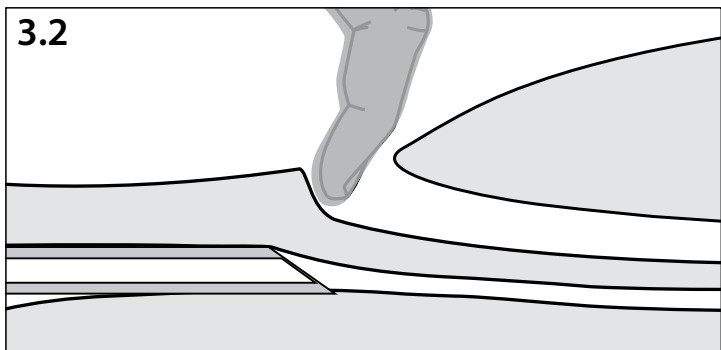


3. Secondary Puncture and Prosthesis placement

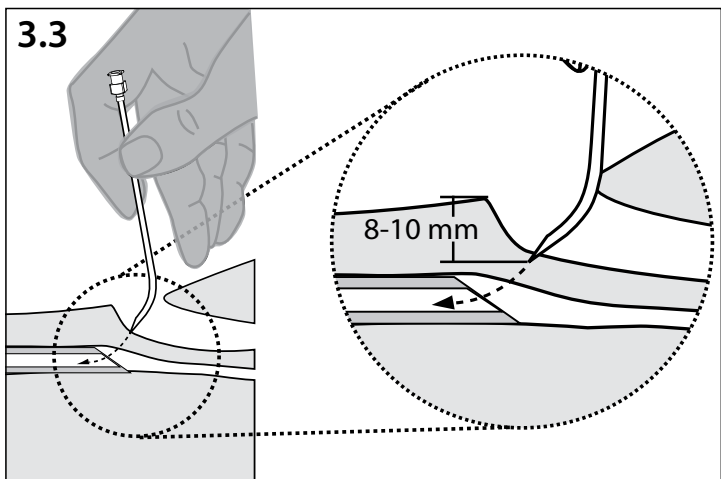
3.1



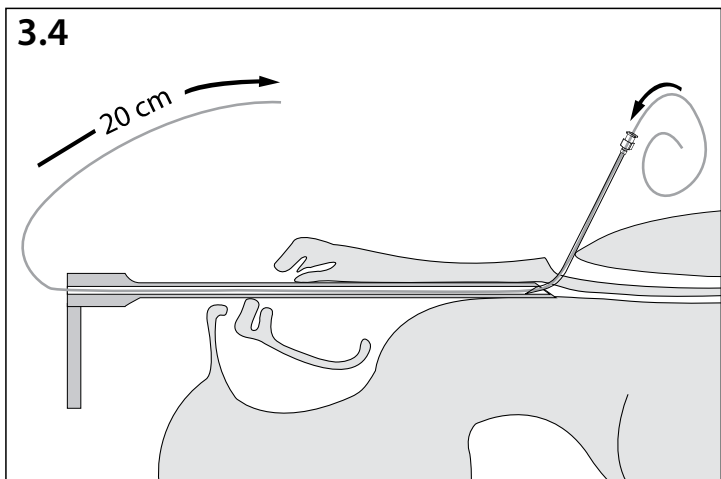
3.2



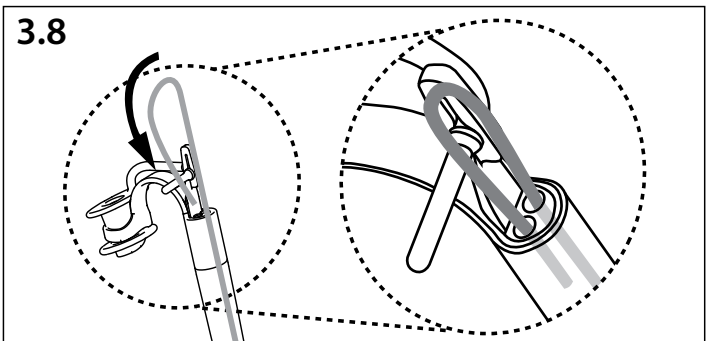
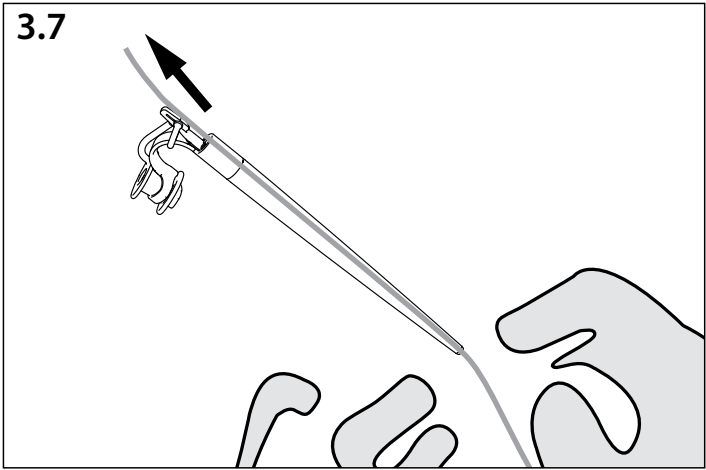
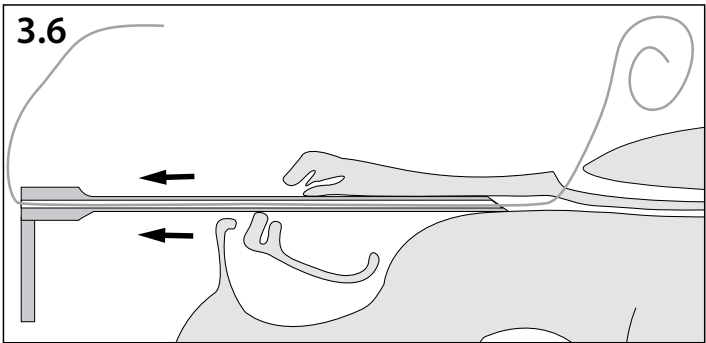
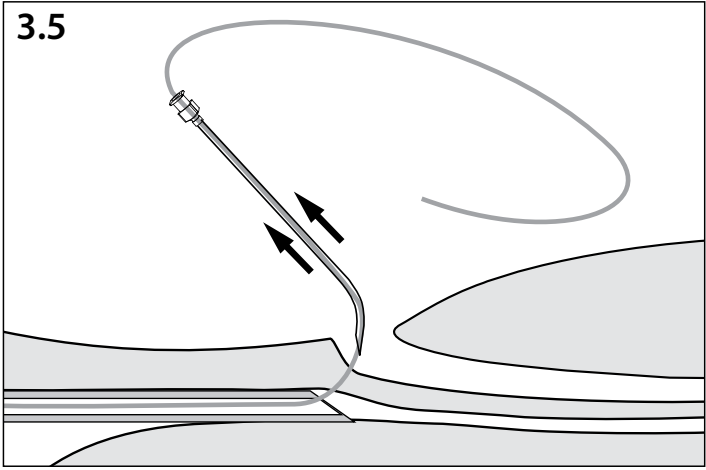
3.3



3.4

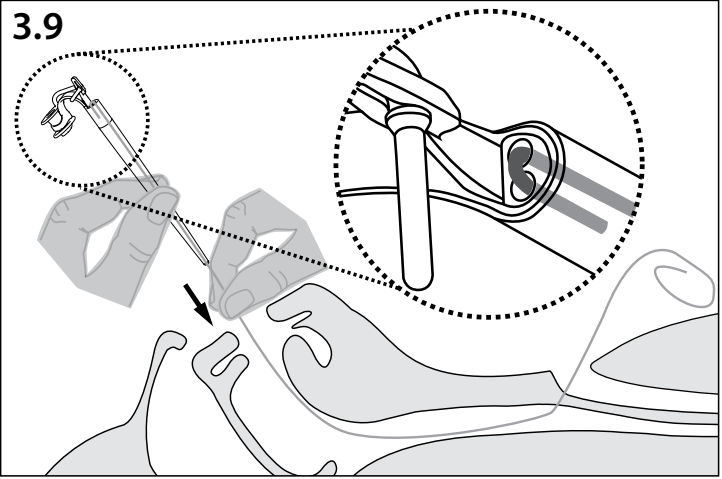


3. Secondary Puncture and Prosthesis placement

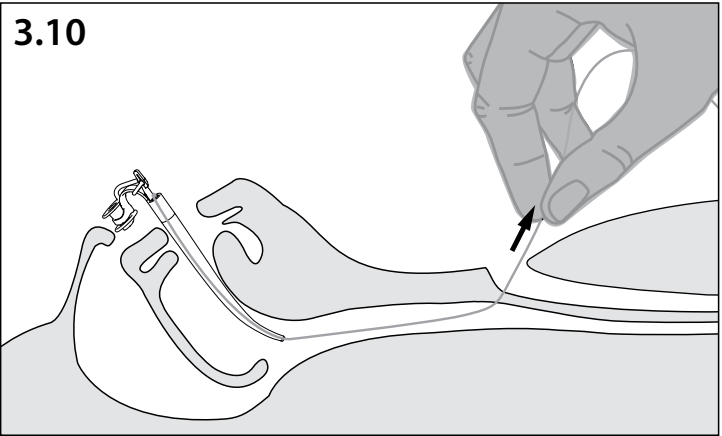


3. Secondary Puncture and Prosthesis placement

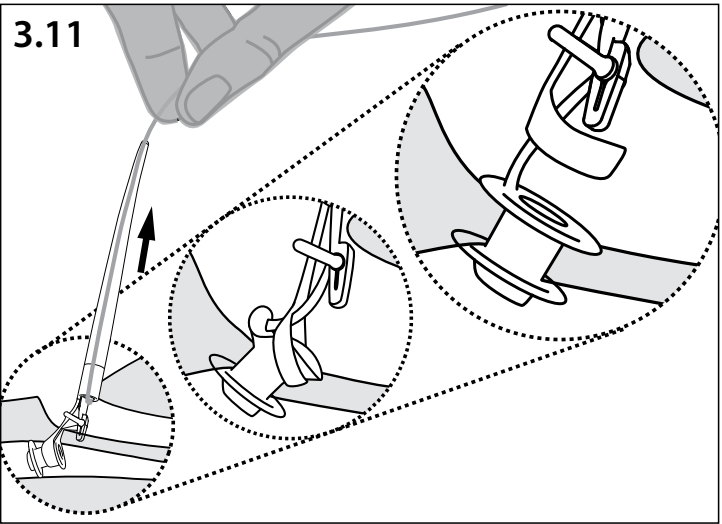
3.9



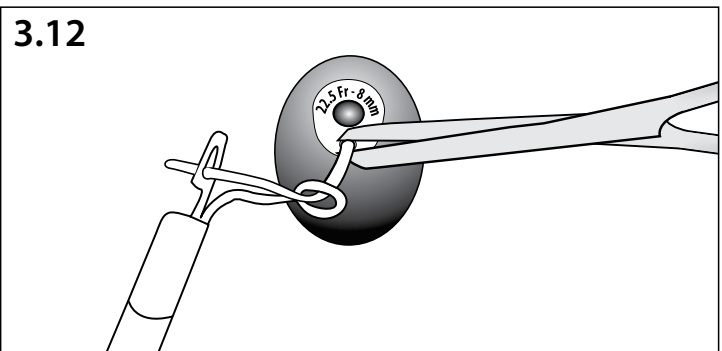
3.10



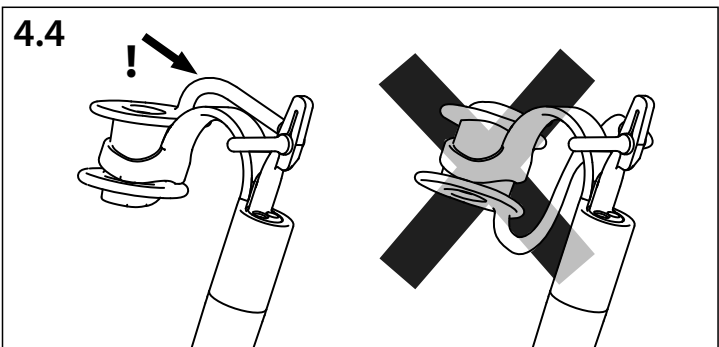
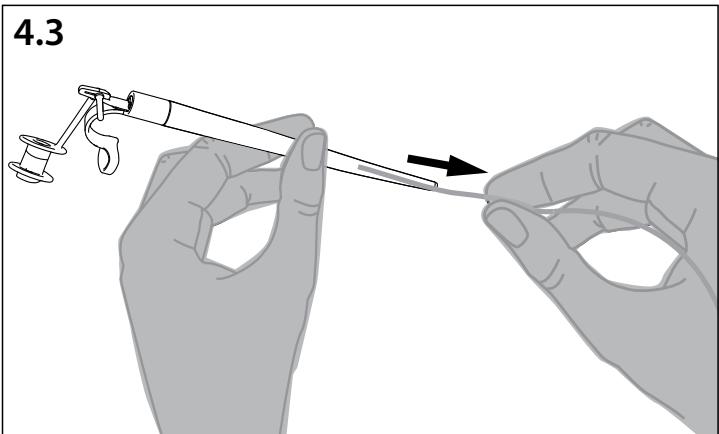
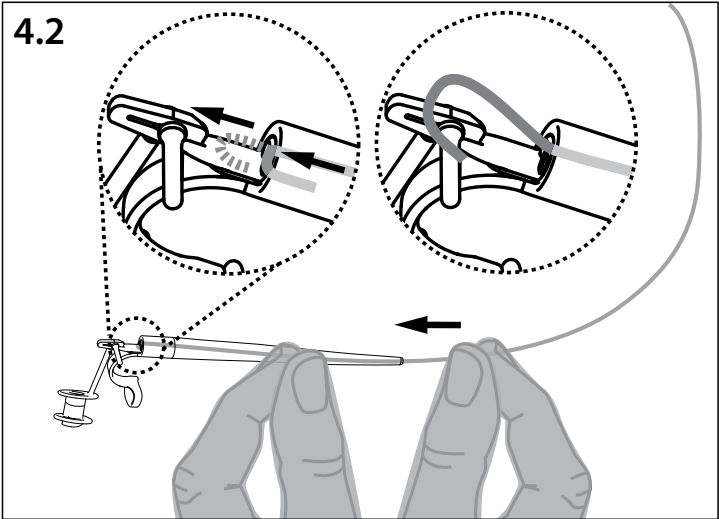
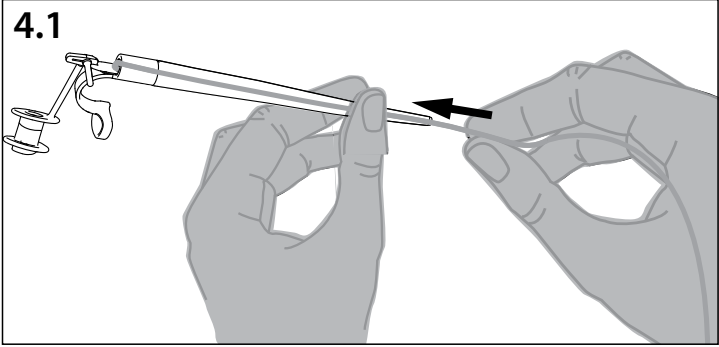
3.11



3.12



4. Reload of the Puncture Set



Atos

Atos Medical **Your voice**

Atos Medical AB
Kraftgatan 8, P.O. Box 183, SE-242 22 Hörby, Sweden
Tel: +46 (0)415 198 00 • Fax: +46 (0)415 198 98
www.atosmedical.com • info@atosmedical.com

© Atos Medical AB, Sweden.